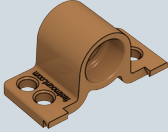




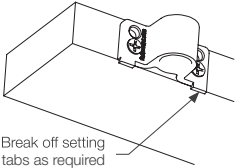
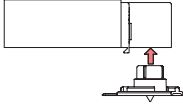
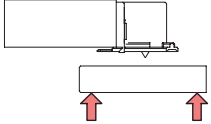
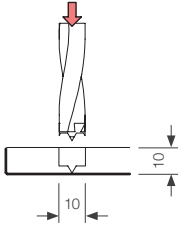
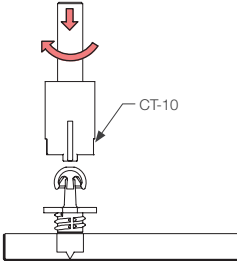
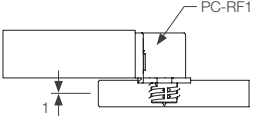


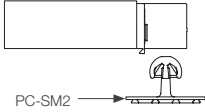
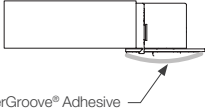
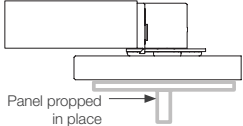
PC-RF1 Side Mount Female

<p>PC-RF1</p> 	<p>USE WITH:</p>				<p>INSTALL WITH:</p>			
	PC-M1B	PC-VM1	PC-SM2		CP-01ST	CT-09	CT-10	CT-18DG
	PC-M2H	PC-VMX	PC-SM2H	PC-SM1AC				

INSTALLATION STEPS

<p>1 Screw fit PC-RF1 to side of frame</p>  <p>Break off setting tabs as required</p>	<p>2 Fit CP-01ST into PC-RF1</p> 	<p>3 Press panel onto CP-01ST to mark</p> 
<p>4 Drill panel on mark with CT-09</p> 	<p>5 Screw fit male clip with CT-10</p> 	<p>6 Panel clipped in place</p> 

OPTION WITH ADHESIVE FIT MALE (COMPLETE STEP ABOVE)

<p>A Clip PC-SM2 into PC-RF1</p> 	<p>B Apply adhesive to PC-SM2</p> 	<p>C Place panel and support while adhesive dries</p> 
---	--	---

MORE INFO: Clip Layout Guide TD-02